

PowerPC™

Advance Information PowerPC 603™ RISC Microprocessor Hardware Specifications

The PowerPC 603 microprocessor is an implementation of the PowerPC™ family of reduced instruction set computing (RISC) microprocessors. In this document, the term '603' is used as an abbreviation for the phrase, 'PowerPC 603 microprocessor'. The PowerPC 603 microprocessors are available from Motorola as MPC603 and from IBM as PPC603. This document contains pertinent physical characteristics of the 603. For functional characteristics refer to the *PowerPC 603 RISC Microprocessor User's Manual*.

This document contains the following topics:

Topic	Page
Section 1.1, "Overview"	2
Section 1.3, "General Parameters"	4
Section 1.4, "Electrical and Thermal Characteristics"	4
Section 1.5, "PowerPC 603 Microprocessor Pin Assignments"	14
Section 1.6, "PowerPC 603 Microprocessor Pinout Listing"	15
Section 1.7, "PowerPC 603 Microprocessor Package Description"	17
Section 1.8, "System Design Information"	21
Section 1.9, "Ordering Information"	28
Appendix A, "General Handling Recommendations for the C4-CQFP Package"	29

To locate any published errata or updates for this document, refer to the website at <http://www.mot.com/powerpc/> or at <http://www.chips.ibm.com/products/ppc>.

The PowerPC name, the PowerPC logotype, and PowerPC 603 are trademarks of International Business Machines Corporation, used by Motorola under license from International Business Machines Corporation. FLOTHERM is a registered trademark of Flomerics Ltd., UK. This document contains information on a new product under development by Motorola and IBM. Motorola and IBM reserve the right to change or discontinue this product without notice.

© Motorola Inc., 1997. All rights reserved.

Portions hereof © International Business Machines Corporation, 1991-1997. All rights reserved.



1.1 Overview

This section describes the features of the 603 and describes briefly how those units interact.

The 603 is the first low-power implementation of the PowerPC microprocessor family of RISC microprocessors. The 603 implements the PowerPC architecture as it is specified for 32-bit addressing, which provides 32-bit effective (logical) addresses, integer data types of 8, 16, and 32 bits, and floating-point data types of 32 and 64 bits (single-precision and double-precision). For 64-bit PowerPC implementations, the PowerPC architecture provides additional 64-bit integer data types, 64-bit addressing, and related features.

The 603 provides four software controllable power-saving modes. Three of the modes (the doze, nap, and sleep modes) are static in nature, and progressively reduce the amount of power dissipated by the processor. The fourth is a dynamic power management mode that causes the functional units in the 603 to automatically enter a low-power mode when the functional units are idle without affecting operational performance, software execution, or any external hardware.

The 603 is a superscalar processor capable of issuing and retiring as many as three instructions per clock. Instructions can execute out of order for increased performance; however, the 603 makes completion appear sequential.

The 603 integrates five execution units—an integer unit (IU), a floating-point unit (FPU), a branch processing unit (BPU), a load/store unit (LSU), and a system register unit (SRU). The ability to execute five instructions in parallel and the use of simple instructions with rapid execution times yield high efficiency and throughput for 603-based systems. Most integer instructions execute in one clock cycle. The FPU is pipelined so a single-precision multiply-add instruction can be issued every clock cycle.

The 603 provides independent on-chip, 8-Kbyte, two-way set-associative, physically addressed caches for instructions and data and on-chip instruction and data memory management units (MMUs). The MMUs contain 64-entry, two-way set-associative, data and instruction translation lookaside buffers (DTLB and ITLB) that provide support for demand-paged virtual memory address translation and variable-sized block translation. The TLBs and caches use a least recently used (LRU) replacement algorithm. The 603 also supports block address translation through the use of two independent instruction and data block address translation (IBAT and DBAT) arrays of four entries each. Effective addresses are compared simultaneously with all four entries in the BAT array during block translation. In accordance with the PowerPC architecture, if an effective address hits in both the TLB and BAT array, the BAT translation takes priority.

The 603 has a selectable 32- or 64-bit data bus and a 32-bit address bus. The 603 interface protocol allows multiple masters to compete for system resources through a central external arbiter. The 603 provides a three-state coherency protocol that supports the exclusive, modified, and invalid cache states. This protocol is a compatible subset of the MESI (modified/exclusive/shared/invalid) four-state protocol and operates coherently in systems that contain four-state caches. The 603 supports single-beat and burst data transfers for memory accesses; it also supports both memory-mapped I/O and direct-store addressing.

The 603 uses an advanced, 3.3-V CMOS process technology and maintains full interface compatibility with TTL devices.

1.2 Features

This section summarizes features of the 603's implementation of the PowerPC architecture. Major features of the 603 are as follows:

- High-performance, superscalar microprocessor
 - As many as three instructions issued and retired per clock
 - As many as five instructions in execution per clock
 - Single-cycle execution for most instructions
 - Pipelined FPU for all single-precision and most double-precision operations
- Five independent execution units and two register files
 - BPU featuring static branch prediction
 - A 32-bit IU
 - Fully IEEE 754-compliant FPU for both single- and double-precision operations
 - LSU for data transfer between data cache and GPRs and FPRs
 - SRU that executes condition register (CR) and special-purpose register (SPR) instructions
 - Thirty-two GPRs for integer operands
 - Thirty-two FPRs for single- or double-precision operands
- High instruction and data throughput
 - Zero-cycle branch capability (branch folding)
 - Programmable static branch prediction on unresolved conditional branches
 - Instruction fetch unit capable of fetching two instructions per clock from the instruction cache
 - A six-entry instruction queue that provides lookahead capability
 - Independent pipelines with feed-forwarding that reduces data dependencies in hardware
 - 8-Kbyte data cache—two-way set-associative, physically addressed; LRU replacement algorithm
 - 8-Kbyte instruction cache—two-way set-associative, physically addressed; LRU replacement algorithm
 - Cache write-back or write-through operation programmable on a per page or per block basis
 - BPU that performs CR lookahead operations
 - Address translation facilities for 4-Kbyte page size, variable block size, and 256-Mbyte segment size
 - A 64-entry, two-way set-associative ITLB
 - A 64-entry, two-way set-associative DTLB
 - Four-entry data and instruction BAT arrays providing 128-Kbyte to 256-Mbyte blocks
 - Software table search operations and updates supported through fast trap mechanism
 - 52-bit virtual address; 32-bit physical address
- Facilities for enhanced system performance
 - A 32- or 64-bit split-transaction external data bus with burst transfers
 - Support for one-level address pipelining and out-of-order bus transactions
 - Bus extensions for direct-store operations

- Integrated power management
 - Low-power 3.3 volt design
 - Internal processor/bus clock multiplier that provides 1/1, 2/1, 3/1 and 4/1 ratios
 - Three power saving modes—doze, nap, and sleep
 - Automatic dynamic power reduction when internal functional units are idle
- In-system testability and debugging features through JTAG boundary-scan capability

1.3 General Parameters

The following list provides a summary of the general parameters of the 603.

Technology	0.5 μ CMOS (four-layer metal)
Die size	11.5 mm x 7.4 mm (85 mm ²)
Transistor count	1.6 million
Logic design	Fully-static
Package	Surface mount, 240-pin CQFP
Power supply	3.3 \pm 5% V dc

1.4 Electrical and Thermal Characteristics

This section provides the AC and DC electrical specifications and thermal characteristics for the 603.

1.4.1 DC Electrical Characteristics

The tables in this section describe the 603 DC electrical characteristics. Table 1 provides the absolute maximum ratings.

Table 1. Absolute Maximum Ratings

Characteristic	Symbol	Value	Unit
Core supply voltage	V _{dd}	–0.3 to 4.0	V
PLL supply voltage	AV _{dd}	–0.3 to 4.0	V
Input voltage	V _{in}	–0.3 to 5.5	V
Storage temperature range	T _{stg}	–55 to 150	°C

Notes:

1. Functional and tested operating conditions are given in Table 2. Absolute maximum ratings are stress ratings only, and functional operation at the maximums is not guaranteed. Stresses beyond those listed may affect device reliability or cause permanent damage to the device.
2. **Caution:** V_{in} must not exceed V_{dd} by more than 2.5 V at anytime including during power-on reset.

Table 2 provides the recommended operating conditions for the 603.

Table 2. Recommended Operating Conditions

Characteristic	Symbol	Value	Unit
Core supply voltage	V _{dd}	3.135 to 3.465	V
PLL supply voltage	AV _{dd}	3.135 to 3.465	V
Input voltage	V _{in}	-0.3 to 5.5	V
Die-junction temperature	T _j	0 to 105	°C

Notes: These are the recommended and tested operating conditions. Proper device operation outside of these conditions is not guaranteed.

Table 3 provides the package thermal characteristics for the 603.

Table 3. Package Thermal Characteristics

Characteristic	Symbol	Value	Rating
Motorola wire-bond CQFP package die junction-to-case thermal resistance (typical)	θ _{JC}	2.2	°C/W
IBM C4-CQFP package die junction-to-heat sink base thermal resistance (typical)	θ _{JS}	1.1	°C/W

Note: Refer to Section 1.8, "System Design Information," for more details about thermal management.

Table 4 provides the DC electrical characteristics for the 603.

Table 4. DC Electrical Specifications

V_{dd} = 3.3 ± 5% V dc, GND = 0 V dc, 0 ≤ T_j ≤ 105 °C

Characteristic	Symbol	Min	Max	Unit	Notes
Input high voltage (all inputs except SYSCLK)	V _{IH}	2.2	5.5	V	
Input low voltage (all inputs except SYSCLK)	V _{IL}	GND	0.8	V	
SYSCLK input high voltage	CV _{IH}	2.4	5.5	V	
SYSCLK input low voltage	CV _{IL}	GND	0.4	V	
Input leakage current, V _{in} = 3.465 V	I _{in}	—	10	μA	1
V _{in} = 5.5 V	I _{in}	—	TBD	μA	1
Hi-Z (off-state) leakage current, V _{in} = 3.465 V	I _{TSl}	—	10	μA	1
V _{in} = 5.5 V	I _{TSl}	—	TBD	μA	1
Output high voltage, I _{OH} = -9 mA	V _{OH}	2.4	—	V	

Table 4. DC Electrical Specifications (Continued)

Vdd = 3.3 ± 5% V dc, GND = 0 V dc, 0 ≤ Tj ≤ 105 °C

Characteristic	Symbol	Min	Max	Unit	Notes
Output low voltage, I _{OL} = 14 mA	V _{OL}	—	0.4	V	
Capacitance, V _{in} = 0 V, f = 1 MHz (excludes \overline{TS} , \overline{ABB} , \overline{DBB} , and \overline{ARTRY})	C _{in}	—	10.0	pF	2
Capacitance, V _{in} = 0 V, f = 1 MHz (for \overline{TS} , \overline{ABB} , \overline{DBB} , and \overline{ARTRY})	C _{in}	—	15.0	pF	2

Notes:

1. Excludes test signals (LSSD_MODE, L1_TSTCLK, L2_TSTCLK), and JTAG signals.
2. Capacitance is periodically sampled rather than 100% tested.

Table 5 provides the power consumption for the 603.

Table 5. Power Consumption

Vdd = 3.3 ± 5% V dc, GND = 0 V dc, 0 ≤ Tj ≤ 105 °C

CPU Clock: SYSCLK	Processor Core Frequency		Unit
	66.67 MHz	80 MHz	
Full-On Mode			
Typical	1.8	2.0	W
Maximum	2.5	2.9	W
Doze Mode*			
Typical	740	800	mW
Nap Mode*			
Typical	160	160	mW
Sleep Mode*			
Typical	125	130	mW
Sleep Mode—PLL Disabled*			
Typical	70	40	mW
Sleep Mode—PLL and SYSCLK Disabled*			
Typical	2	2	mW

Note: These values apply for all valid PLL_CFG[0–3] settings and do not include output driver power (OVdd) or analog supply power (AVdd). OVdd power is system dependent but is typically ≤ 10% of Vdd. Worst-case AVdd = 15 mW.

1.4.2 AC Electrical Characteristics

This section provides the AC electrical characteristics for the 603. After fabrication, parts are sorted by maximum processor core frequency as shown in Section 1.4.2.1, “Clock AC Specifications” and tested for conformance to the AC specifications for that frequency. The processor core frequency is determined by the bus (SYSCLK) frequency and the settings of the PLL_CFG[0–3] signals. PLL_CFG signals should be set prior to power up and not altered afterwards. These specifications are for 66 MHz core frequency with 33 MHz bus (66C—2:1 bus mode), 66 MHz bus (66A—1:1 bus mode), and 80 MHz core frequency with 40 MHz bus (80C—2:1 bus mode). Parts are sold by maximum processor core frequency and bus mode; see Section 1.9, “Ordering Information.”

1.4.2.1 Clock AC Specifications

Table 6 provides the clock AC timing specifications as defined in Figure 1.

Table 6. Clock AC Timing Specifications

Vdd = 3.3 ± 5% V dc, GND = 0 V dc, 0 ≤ Tj ≤ 105 °C

Num	Characteristic	66C		66A		80C		Unit	Notes
		Min	Max	Min	Max	Min	Max		
	Processor frequency	16.67	66.0	16.67	66.0	16.67	80.0	MHz	1
	VCO frequency	120	240	120	240	120	240	MHz	
	SYSCLK (bus) frequency	16.67	33.0	16.67	66.0	16.67	40.0	MHz	
1	SYSCLK cycle time	40.0	60.0	30.0	60.0	25.0	60.0	ns	
2,3	SYSCLK rise and fall time	—	2.0	—	2.0	—	2.0	ns	2
4	SYSCLK duty cycle measured at 1.4 V	40.0	60.0	40.0	60.0	40.0	60.0	%	3
	SYSCLK jitter	—	±150	—	±150	—	±150	ps	4
	603 internal PLL-relock time	—	100	—	100	—	100	μs	3, 5

Notes:

- 1. Caution:** The SYSCLK frequency and PLL_CFG[0–3] settings must be chosen such that the resulting SYSCLK (bus) frequency, CPU (core) frequency, and PLL (VCO) frequency do not exceed their respective maximum or minimum operating frequencies. Refer to the PLL_CFG[0–3] signal description in Section 1.8, “System Design Information,” for valid PLL_CFG[0–3] settings, and to Section 1.9, “Ordering Information,” for available frequencies and part numbers.
- Rise and fall times for the SYSCLK input are measured from 0.4 V to 2.4 V.
- Timing is guaranteed by design and characterization, and is not tested.
- The total input jitter (short term and long term combined) must be under ±150 ps.
- Relock timing is guaranteed by design and characterization, and is not tested. PLL-relock time is the maximum amount of time required for PLL lock after a stable Vdd and SYSCLK are reached during the power-on reset sequence. This specification also applies when the PLL has been disabled and subsequently re-enabled during sleep mode. Also note that HRESET must be held asserted for a minimum of 255 bus clocks after the PLL-relock time (100 μs) during the power-on reset sequence.

Figure 1 provides the SYSCLK input timing diagram.

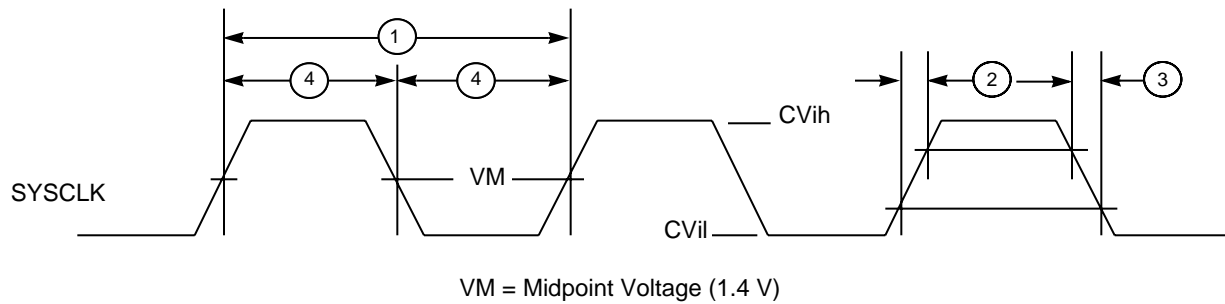


Figure 1. SYSCLK Input Timing Diagram

1.4.2.2 Input AC Specifications

Table 7 provides the input AC timing specifications for the 603 as defined in Figure 2 and Figure 3.

Table 7. Input AC Timing Specifications

Vdd = 3.3 ± 5% V dc, GND = 0 V dc, 0 ≤ Tj ≤ 105 °C

Num	Characteristic	66C		66A		80C		Unit	Notes
		Min	Max	Min	Max	Min	Max		
10a	Address/data/transfer attribute inputs valid to SYSCLK (input setup)	4.0	—	2.5	—	3.5	—	ns	2
10b	All other inputs valid to SYSCLK (input setup)	6.0	—	4.5	—	5.5	—	ns	3
10c	Mode select inputs valid to $\overline{\text{HRESET}}$ (input setup) (for $\overline{\text{DRTRY}}$, $\overline{\text{QACK}}$ and $\overline{\text{TLBISYNC}}$)	8 * t_{sysclk}	—	8 * t_{sysclk}	—	8 * t_{sysclk}	—	ns	4, 5, 6
11a	SYSCLK to address/data/transfer attribute inputs invalid (input hold)	1.0	—	1.0	—	1.0	—	ns	2
11b	SYSCLK to all other inputs invalid (input hold)	1.0	—	1.0	—	1.0	—	ns	3
11c	$\overline{\text{HRESET}}$ to mode select inputs invalid (input hold) (for $\overline{\text{DRTRY}}$, $\overline{\text{QACK}}$, and $\overline{\text{TLBISYNC}}$)	0	—	0	—	0	—	ns	4, 6

Notes:

1. All input specifications are measured from the TTL level (0.8 or 2.0 V) of the signal in question to the 1.4 V of the rising edge of the input SYSCLK. Both input and output timings are measured at the pin (see Figure 2).
2. Address/data/transfer attribute input signals are composed of the following—A[0–31], AP[0–3], TT[0–4], TC[0–1], $\overline{\text{TBST}}$, TSIZ[0–2], $\overline{\text{GBL}}$, DH[0–31], DL[0–31], DP[0–7].
3. All other input signals are composed of the following—TS, XATS, $\overline{\text{ABB}}$, $\overline{\text{DBB}}$, ARTRY, $\overline{\text{BG}}$, AACK, $\overline{\text{DBG}}$, $\overline{\text{DBWO}}$, $\overline{\text{TA}}$, $\overline{\text{DRTRY}}$, $\overline{\text{TEA}}$, $\overline{\text{DBDIS}}$, $\overline{\text{HRESET}}$, $\overline{\text{SRESET}}$, INT, SMI, MCP, $\overline{\text{TBEN}}$, $\overline{\text{QACK}}$, $\overline{\text{TLBISYNC}}$.
4. The setup and hold time is with respect to the rising edge of $\overline{\text{HRESET}}$ (see Figure 3). This specification is for configuration-mode only. Also note that $\overline{\text{HRESET}}$ must be held asserted for a minimum of 255 bus clocks after the PLL-relock time (100 μs) during the power-on reset sequence.
5. t_{sysclk} is the period of the external clock (SYSCLK) in nanoseconds.
6. These values are guaranteed by design, and are not tested.

Figure 2 provides the input timing diagram for the 603.

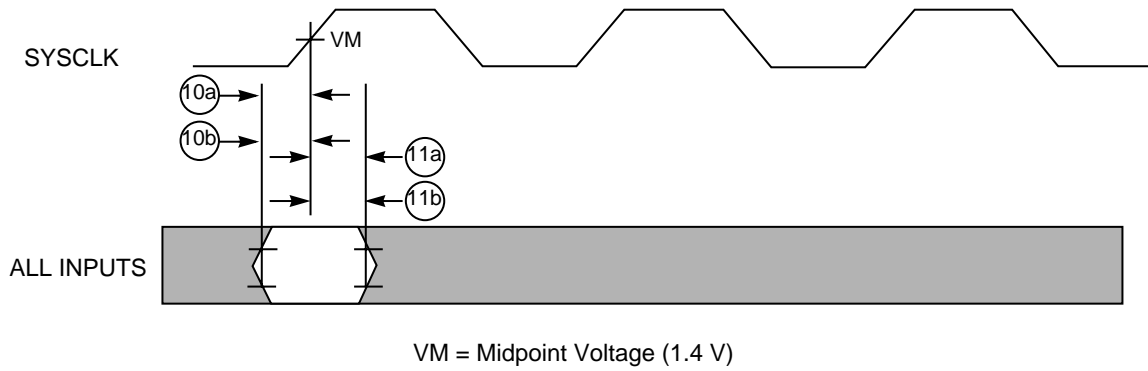


Figure 2. Input Timing Diagram

Figure 3 provides the mode select input timing diagram for the 603.

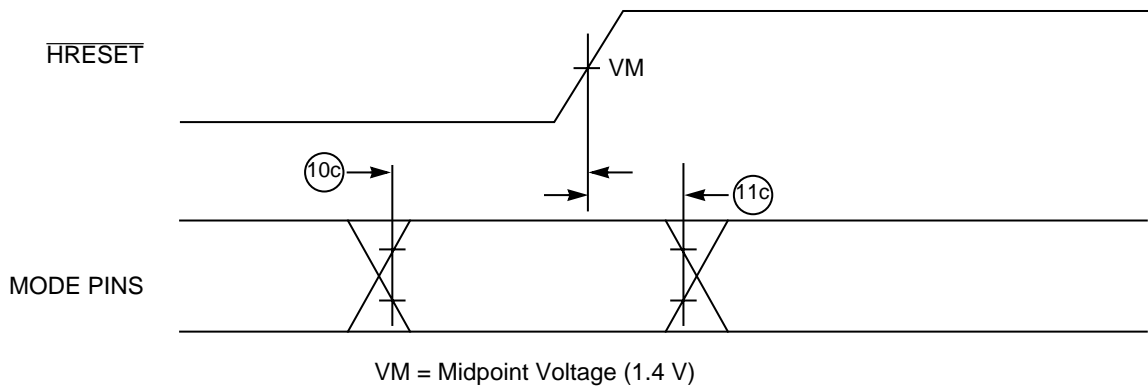


Figure 3. Mode Select Input Timing Diagram

1.4.2.3 Output AC Specifications

Table 8 provides the output AC timing specifications for the 603 as defined in Figure 4.

Table 8. Output AC Timing Specifications¹

V_{dd} = 3.3 ± 5% V dc, GND = 0 V dc, CL = 50 pF, 0 ≤ T_j ≤ 105 °C

Num	Characteristic	66C		66A		80C		Unit	Notes
		Min	Max	Min	Max	Min	Max		
12	SYSClk to output driven (output enable time)	1.0	—	1.0	—	1.0	—	ns	
13a	SYSClk to output valid (5.5 V to 0.8 V— \overline{TS} , \overline{ABB} , \overline{ARTRY} , \overline{DBB})	—	13.0	—	10.0	—	12.0	ns	4
13b	SYSClk to output valid (\overline{TS} , \overline{ABB} , \overline{ARTRY} , \overline{DBB})	—	12.0	—	9.0	—	11.0	ns	6
14a	SYSClk to output valid (5.5 V to 0.8 V— all except \overline{TS} , \overline{ABB} , \overline{ARTRY} , \overline{DBB})	—	15.0	—	12.0	—	14.0	ns	4
14b	SYSClk to output valid (all except \overline{TS} , \overline{ABB} , \overline{ARTRY} , \overline{DBB})	—	13.0	—	10.0	—	12.0	ns	6
15	SYSClk to output invalid (output hold)	1.5	—	1.5	—	1.5	—	ns	3
16	SYSClk to output high impedance (all except \overline{ARTRY} , \overline{ABB} , \overline{DBB})	—	11.5	—	8.5	—	10.5	ns	
17	SYSClk to \overline{ABB} , \overline{DBB} , high impedance after precharge	—	1.0	—	1.2	—	1.0	t _{sysclk}	5,7
18	SYSClk to \overline{ARTRY} high impedance before precharge	—	11.0	—	8.0	—	10.0	ns	
19	SYSClk to \overline{ARTRY} precharge enable	0.2 * t _{sysclk} + 1.0	—	0.2 * t _{sysclk} + 1.0	—	0.2 * t _{sysclk} + 1.0	—	ns	3,5,8
20	Maximum delay to \overline{ARTRY} precharge	—	1.0	—	1.2	—	1.0	t _{sysclk}	5,8
21	SYSClk to \overline{ARTRY} high impedance after precharge	—	2.0	—	2.25	—	2.0	t _{sysclk}	5,8

Notes:

1. All output specifications are measured from the 1.4 V of the rising edge of SYSClk to the TTL level (0.8 V or 2.0 V) of the signal in question. Both input and output timings are measured at the pin
2. All maximum timing specifications assume C_L = 50 pF.
3. This minimum parameter assumes C_L = 0 pF.
4. SYSClk to output valid (5.5 V to 0.8 V) includes the extra delay associated with discharging the external voltage from 5.5 V to 0.8 V instead of from V_{dd} to 0.8 V (5 V CMOS levels instead of 3.3 V CMOS levels).
5. t_{sysclk} is the period of the external bus clock (SYSClk) in nanoseconds (ns). The numbers given in the table must be multiplied by the period of SYSClk to compute the actual time duration (in nanoseconds) of the parameter in question.
6. Output signal transitions from GND to 2.0 V or V_{dd} to 0.8 V.
7. Nominal precharge width for \overline{ABB} and \overline{DBB} is 0.5 t_{sysclk}.
8. Nominal precharge width for \overline{ARTRY} is 1.0 t_{sysclk}.

Figure 4 provides the output timing diagram for the 603.

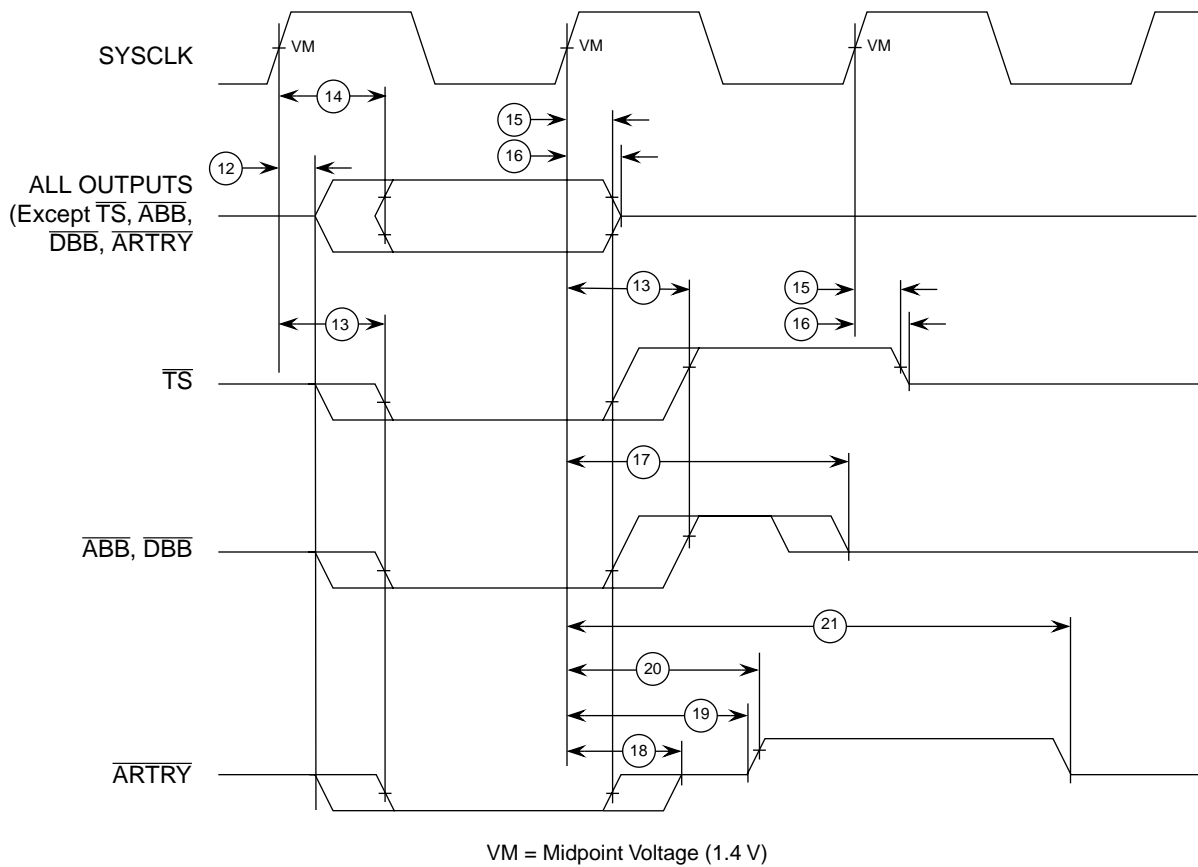


Figure 4. Output Timing Diagram

1.4.3 JTAG AC Timing Specifications

Table 9 provides the JTAG AC timing specifications as defined in Figure 5 through Figure 8.

Table 9. JTAG AC Timing Specifications (Independent of SYSCLK)

Vdd = 3.3 ± 5% V dc, GND = 0 V dc, CL = 50 pF, 0 ≤ Tj ≤ 105 °C

Num	Characteristic	Min	Max	Unit	Notes
	TCK frequency of operation	0	16	MHz	
1	TCK cycle time	62.5	—	ns	
2	TCK clock pulse width measured at 1.4 V	25	—	ns	
3	TCK rise and fall times	0	3	ns	
4	TRST setup time to TCK rising edge	13	—	ns	1
5	TRST assert time	40	—	ns	
6	Boundary-scan input data setup time	6	—	ns	2

Table 9. JTAG AC Timing Specifications (Independent of SYSCLK) (Continued)

V_{dd} = 3.3 ± 5% V dc, GND = 0 V dc, C_L = 50 pF, 0 ≤ T_j ≤ 105 °C

Num	Characteristic	Min	Max	Unit	Notes
7	Boundary-scan input data hold time	27	—	ns	2
8	TCK to output data valid	4	25	ns	3
9	TCK to output high impedance	3	24	ns	3
10	TMS, TDI data setup time	0	—	ns	
11	TMS, TDI data hold time	25	—	ns	
12	TCK to TDO data valid	4	24	ns	
13	TCK to TDO high impedance	3	15	ns	

Notes:

1. $\overline{\text{TRST}}$ is an asynchronous signal. The setup time is for test purposes only.
2. Non-test signal input timing with respect to TCK.
3. Non-test signal output timing with respect to TCK.

Figure 5 provides the JTAG clock input timing diagram.

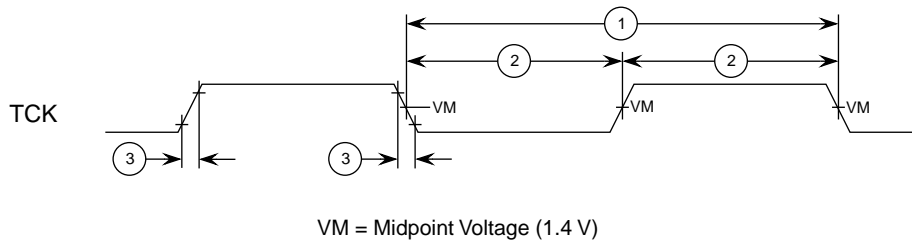


Figure 5. Clock Input Timing Diagram

Figure 6 provides the $\overline{\text{TRST}}$ timing diagram.

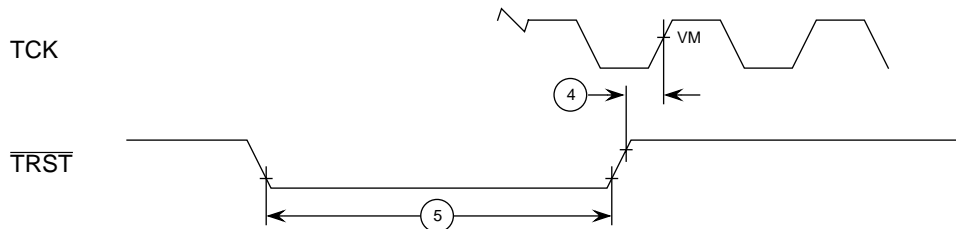


Figure 6. $\overline{\text{TRST}}$ Timing Diagram

Figure 7 provides the boundary-scan timing diagram.

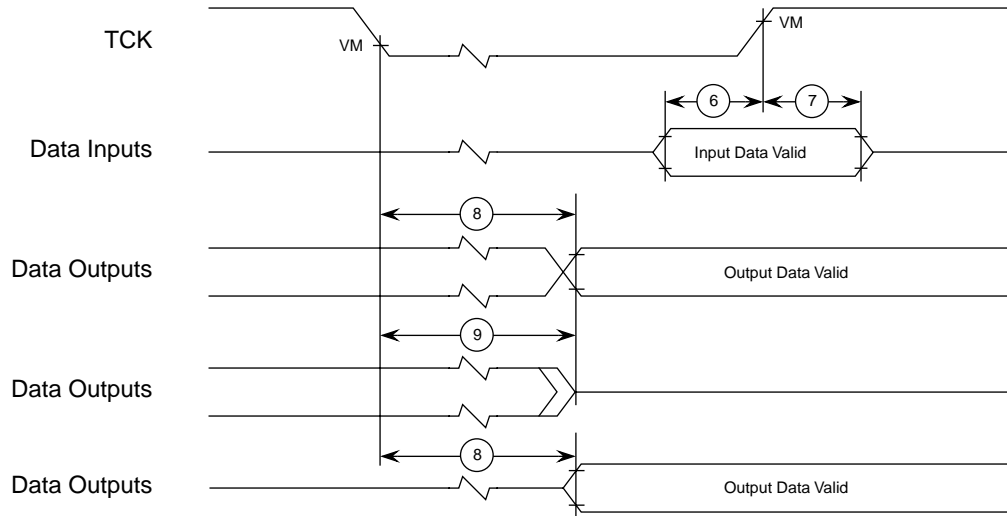


Figure 7. Boundary-Scan Timing Diagram

Figure 8 provides the test access port timing diagram.

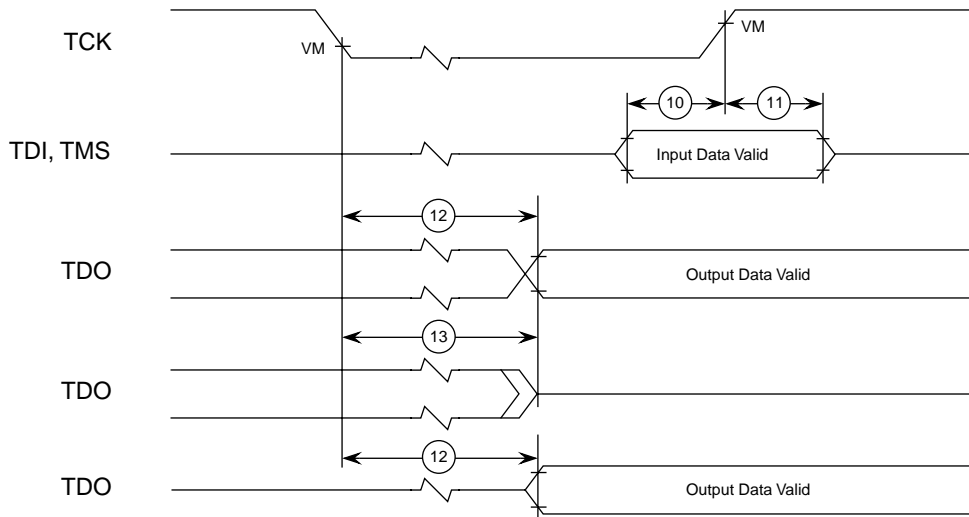


Figure 8. Test Access Port Timing Diagram

1.5 PowerPC 603 Microprocessor Pin Assignments

This section contains the pinout diagram for the 603 ceramic quad flat pack (CQFP) package as shown in Figure 9.

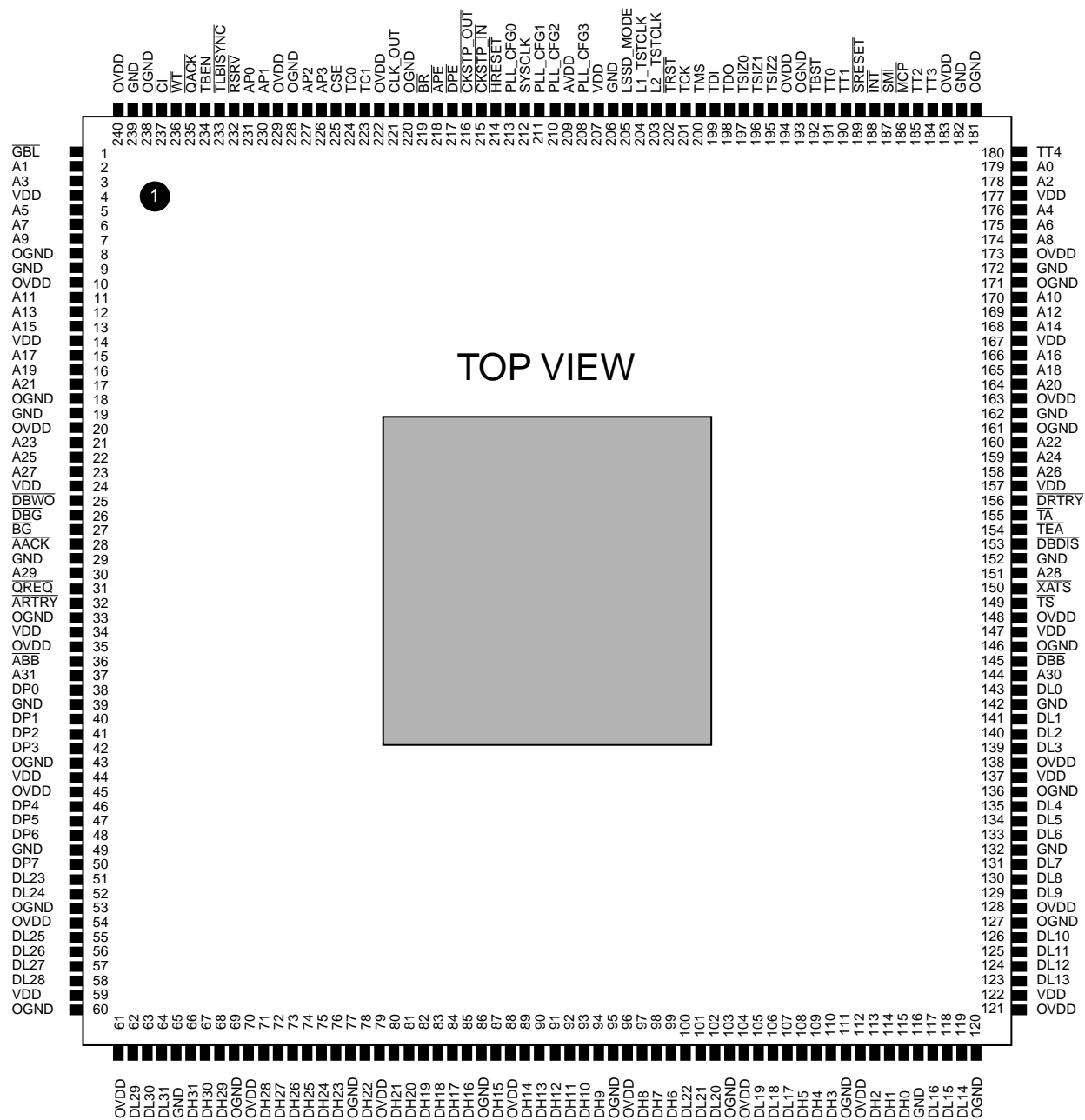


Figure 9. Pinout Diagram of the CQFP Package

1.6 PowerPC 603 Microprocessor Pinout Listing

Table 10 provides the pinout listing for the 603 CQFP package.

Table 10. PowerPC 603 Microprocessor Pinout Listing

Signal Name	Pin Number	Active	I/O
A[0–31]	179, 2, 178, 3, 176, 5, 175, 6, 174, 7, 170, 11, 169, 12, 168, 13, 166, 15, 165, 16, 164, 17, 160, 21, 159, 22, 158, 23, 151, 30, 144, 37	High	I/O
$\overline{\text{AACK}}$	28	Low	Input
$\overline{\text{ABB}}$	36	Low	I/O
AP[0–3]	231, 230, 227, 226	High	I/O
$\overline{\text{APE}}$	218	Low	Output
$\overline{\text{ARTRY}}$	32	Low	I/O
AVDD	209	High	Input
$\overline{\text{BG}}$	27	Low	Input
$\overline{\text{BR}}$	219	Low	Output
$\overline{\text{CI}}$	237	Low	Output
CLK_OUT	221	—	Output
$\overline{\text{CKSTP_IN}}$	215	Low	Input
$\overline{\text{CKSTP_OUT}}$	216	Low	Output
CSE	225	High	Output
$\overline{\text{DBB}}$	145	Low	I/O
DBDIS	153	Low	Input
$\overline{\text{DBG}}$	26	Low	Input
$\overline{\text{DBWO}}$	25	Low	Input
DH[0–31]	115, 114, 113, 110, 109, 108, 99, 98, 97, 94, 93, 92, 91, 90, 89, 87, 85, 84, 83, 82, 81, 80, 78, 76, 75, 74, 73, 72, 71, 68, 67, 66	High	I/O
DL[0–31]	143, 141, 140, 139, 135, 134, 133, 131, 130, 129, 126, 125, 124, 123, 119, 118, 117, 107, 106, 105, 102, 101, 100, 51, 52, 55, 56, 57, 58, 62, 63, 64	High	I/O
DP[0–7]	38, 40, 41, 42, 46, 47, 48, 50	High	I/O
$\overline{\text{DPE}}$	217	Low	Output
$\overline{\text{DRTRY}}$	156	Low	Input
$\overline{\text{GBL}}$	1	Low	I/O

Table 10. PowerPC 603 Microprocessor Pinout Listing (Continued)

Signal Name	Pin Number	Active	I/O
GND	9, 19, 29, 39, 49, 65, 116, 132, 142, 152, 162, 172, 182, 206, 239	Low	Input
$\overline{\text{HRESET}}$	214	Low	Input
$\overline{\text{INT}}$	188	Low	Input
LSSD_MODE ¹	205	Low	Input
L1_TSTCLK ¹	204	—	Input
L2_TSTCLK ¹	203	—	Input
MCP	186	Low	Input
OGND	8, 18, 33, 43, 53, 60, 69, 77, 86, 95, 103, 111, 120, 127, 136, 146, 161, 171, 181, 193, 220, 228, 238	Low	Input
OVDD	10, 20, 35, 45, 54, 61, 70, 79, 88, 96, 104, 112, 121, 128, 138, 148, 163, 173, 183, 194, 222, 229, 240	High	Input
PLL_CFG[0–3]	213, 211, 210, 208	High	Input
$\overline{\text{QACK}}$	235	Low	Input
$\overline{\text{QREQ}}$	31	Low	Output
$\overline{\text{RSRV}}$	232	Low	Output
$\overline{\text{SMI}}$	187	Low	Input
$\overline{\text{SRESET}}$	189	Low	Input
SYSCLK	212	—	Input
$\overline{\text{TA}}$	155	Low	Input
TBEN	234	High	Input
$\overline{\text{TBST}}$	192	Low	I/O
TC[0–1]	224, 223	High	Output
TCK	201	—	Input
TDI	199	High	Input
TDO	198	High	Output
$\overline{\text{TEA}}$	154	Low	Input
$\overline{\text{TLBISYNC}}$	233	Low	Input
TMS	200	High	Input
TRST	202	Low	Input
TSIZ[0–2]	197, 196, 195	High	I/O

Table 10. PowerPC 603 Microprocessor Pinout Listing (Continued)

Signal Name	Pin Number	Active	I/O
\overline{TS}	149	Low	I/O
TT[0–4]	191, 190, 185, 184, 180	High	I/O
VDD	4, 14, 24, 34, 44, 59, 122, 137, 147, 157, 167, 177, 207	High	Input
\overline{WT}	236	Low	Output
\overline{XATS}	150	Low	I/O

Notes:

1. These are test signals for factory use only and must be pulled up to Vdd for normal machine operation.
2. OVdd inputs supply power to the I/O drivers and Vdd inputs supply power to the processor core. Future members of the 603 family may use different OVdd and Vdd input levels; for example, OVdd = 3.3 V or 5.0 V, with Vdd = 2.5 V.

1.7 PowerPC 603 Microprocessor Package Description

The following sections provide the package parameters and the mechanical dimensions for the 603. Note that the 603 is currently offered in two types of CQFP packages—the Motorola wire-bond CQFP and the IBM C4-CQFP.

1.7.1 Motorola Wire-Bond CQFP Package Description

The following sections provide the package parameters and mechanical dimensions for the Motorola wire-bond CQFP package.

1.7.1.1 Package Parameters

The package parameters for the Motorola wire-bond CQFP are as provided in the following list. The package type is 32 mm x 32 mm, 240-pin ceramic quad flat pack.

Package outline	32 mm x 32 mm
Interconnects	240
Pitch	0.5 mm (20 mil)
Maximum module height	4.15 mm

1.7.1.2 Mechanical Dimensions of the Motorola Wire-Bond CQFP Package

Figure 10 shows the mechanical dimensions for the Motorola wire-bond CQFP package.

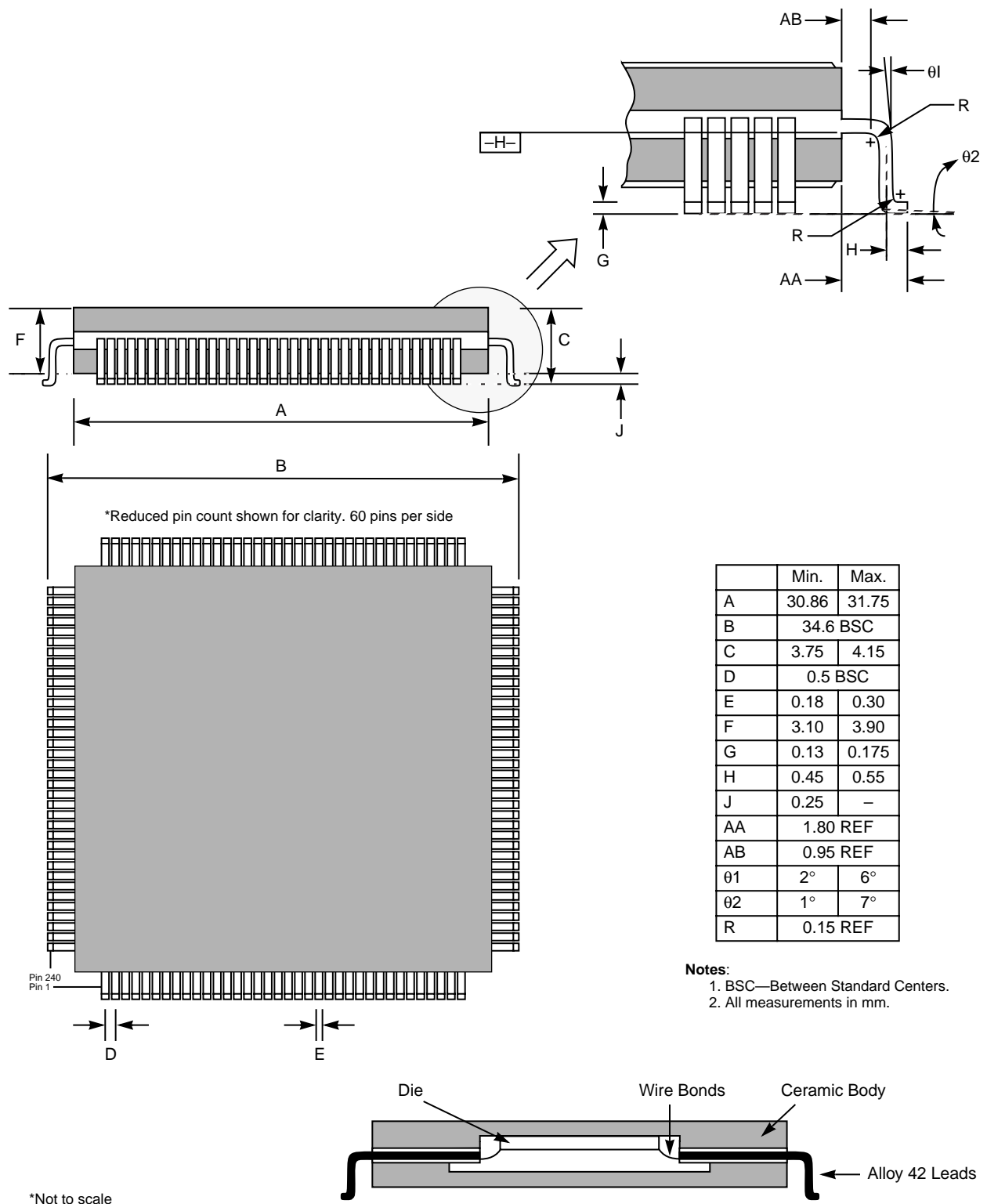


Figure 10. Mechanical Dimensions of the Motorola Wire-Bond CQFP Package

1.7.2 IBM C4-CQFP Package Description

The following sections provide the package parameters and mechanical dimensions for the IBM C4-CQFP package.

1.7.2.1 Package Parameters

The package parameters for the IBM C4-CQFP are as provided in the following list. The package type is 32 mm x 32 mm, 240-pin ceramic quad flat pack.

Package outline	32 mm x 32 mm
Interconnects	240
Pitch	0.5 mm
Lead plating	Ni Au
Solder joint	Sn/PB (10/90)
Lead encapsulation	Epoxy
Solder-bump encapsulation	Epoxy
Maximum module height	3.1 mm
Co-planarity specification	0.08 mm

Note: No solvent can be used with the C4-CQFP package. See Appendix A, “General Handling Recommendations for the C4-CQFP Package,” for details.

1.7.2.2 Mechanical Dimensions of the IBM C4-CQFP Package

Figure 11 shows the mechanical dimensions for the IBM C4-CQFP package.

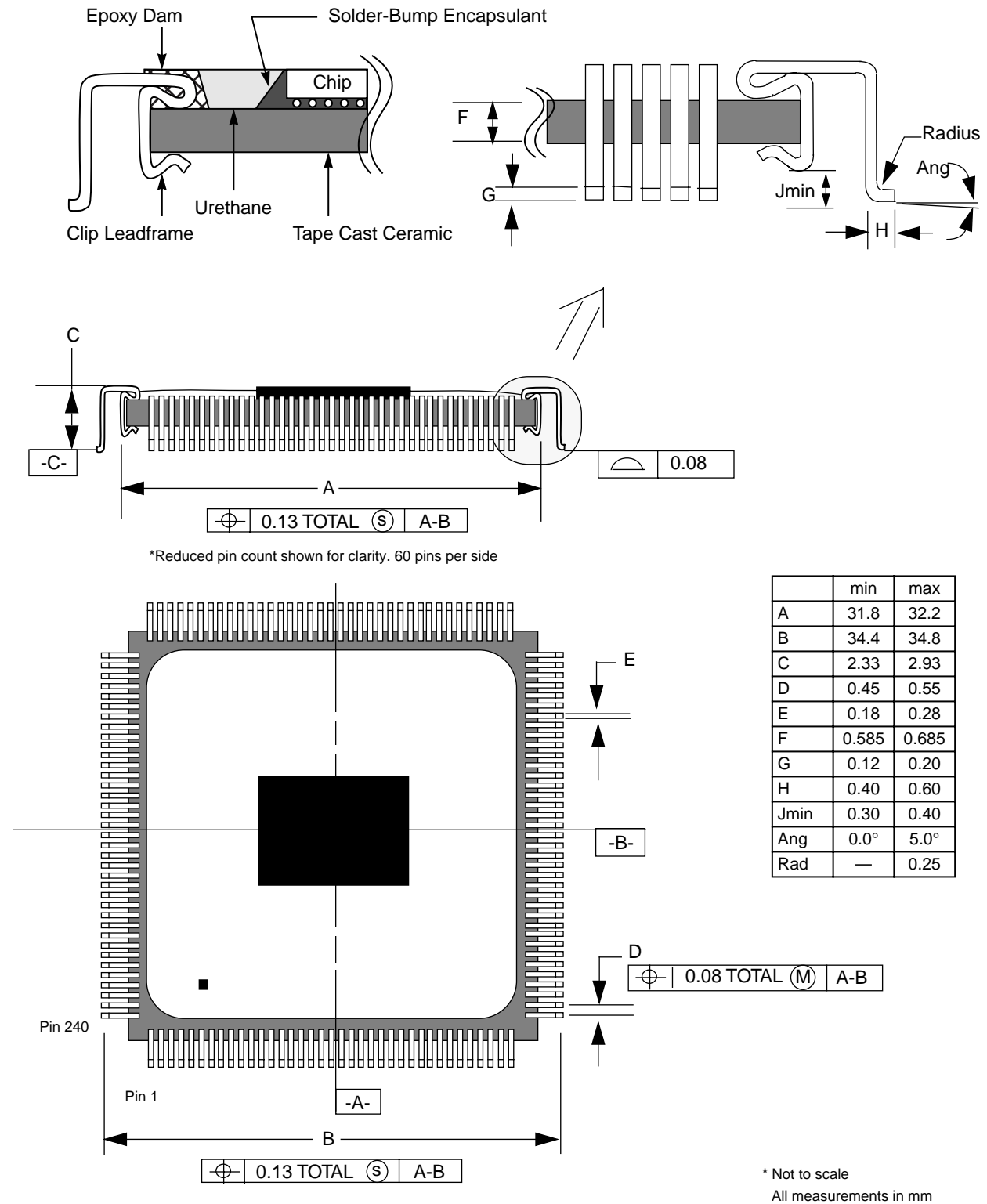


Figure 11. Mechanical Dimensions of the IBM C4-CQFP Package

1.8 System Design Information

This section provides electrical and thermal design recommendations for successful application of the 603.

1.8.1 PLL Configuration

The 603 PLL is configured by the PLL_CFG[0–3] signals. For a given SYSCLK (bus) frequency, the PLL configuration signals set the internal CPU and VCO frequency of operation. The PLL configuration for the 603 is shown in Table 11 for nominal frequencies.

Table 11. PowerPC 603 Microprocessor PLL Configuration

PLL_CFG[0–3]	CPU Frequency in MHz (VCO Frequency in MHz)								
	Bus-to-Core Multiplier	Core-to-VCO Multiplier	Bus 16.6 MHz	Bus 20 MHz	Bus 25 MHz	Bus 33.3 MHz	Bus 40 MHz	Bus 50 MHz	Bus 66.6 MHz
0000	1x	2x	—	—	—	—	—	—	66.6 (133)
0001	1x	4x	—	—	—	33.3 (133)	40 (160)	50 (200)	—
0010	1x	8x	16.6 (133)	20 (160)	25 (200)	—	—	—	—
0100	2x	2x	—	—	—	66.6 (133)	80 (160)	—	—
0101	2x	4x	33.3 (133)	40 (160)	50 (200)	—	—	—	—
1000	3x	2x	—	60 (120)	75 (150)	—	—	—	—
1001	3x	4x	50 (200)	60 (240)	—	—	—	—	—
1100	4x	2x	66.6 (133)	80 (160)	—	—	—	—	—
0011	PLL bypass								
1111	Clock off								

Notes:

1. The sample bus-to-core frequencies shown are for reference only.
2. Some PLL configurations may select bus, CPU, or PLL frequencies which are not supported by the 603; see Section 1.4.2.2, “Input AC Specifications,” for valid SYSCLK frequencies.
3. In PLL-bypass mode, the SYSCLK input signal clocks the internal processor directly, the PLL is disabled, and the bus mode is set for 1:1 mode operation. This mode is intended for factory use only. **Note:** The AC timing specifications given in this document do not apply in PLL-bypass mode.
4. In clock-off mode, no clocking occurs inside the 603 regardless of the SYSCLK input.
5. PLL_CFG[0–1] signals select the CPU-to-bus ratio (1:1, 2:1, 3:1, 4:1), PLL_CFG[2–3] signals select the CPU-to-PLL multiplier (x2, x4, x8).

1.8.2 PLL Power Supply Filtering

The AVdd power signal is provided on the 603 to provide power to the clock generation phased-lock loop. To ensure stability of the internal clock, the power supplied to the AVdd input signal should be filtered using a circuit similar to the one shown in Figure 12. The circuit should be placed as close as possible to the AVdd signal to ensure it filters out as much noise as possible.

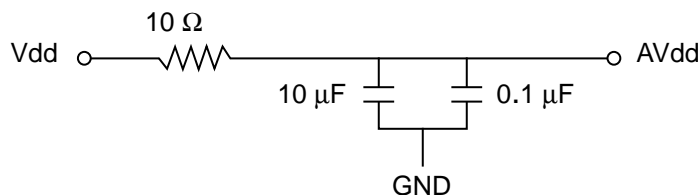


Figure 12. PLL Power Supply Filter Circuit

1.8.3 Decoupling Recommendations

Due to the 603's dynamic power management feature, large address and data buses, and high operating frequencies, the 603 can generate transient power surges and high frequency noise in its power supply, especially while driving large capacitive loads. This noise must be prevented from reaching other components in the 603 system, and the 603 itself requires a clean, tightly regulated source of power. Therefore, it is recommended that the system designer place at least one decoupling capacitor at each Vdd and OVdd pin of the 603. It is also recommended that these decoupling capacitors receive their power from separate Vdd, OVdd, and GND power planes in the PCB, utilizing short traces to minimize inductance.

These capacitors should vary in value from 220 pF to 10 μF to provide both high- and low-frequency filtering, and should be placed as close as possible to their associated Vdd or OVdd pin. Suggested values for the Vdd pins—220 pF (ceramic), 0.01 μF (ceramic), and 0.1 μF (ceramic). Suggested values for the OVdd pins—0.01 μF (ceramic), 0.1 μF (ceramic), and 10 μF (tantalum). Only SMT (surface mount technology) capacitors should be used to minimize lead inductance.

In addition, it is recommended that there be several bulk storage capacitors distributed around the PCB, feeding the Vdd and OVdd planes, to enable quick recharging of the smaller chip capacitors. These bulk capacitors should also have a low ESR (equivalent series resistance) rating to ensure the quick response time necessary. They should also be connected to the power and ground planes through two vias to minimize inductance. Suggested bulk capacitors—100 μF (AVX TPS tantalum) or 330 μF (AVX TPS tantalum).

1.8.4 Connection Recommendations

To ensure reliable operation, it is recommended to connect unused inputs to an appropriate signal level. Unused active low inputs should be connected to Vdd. Unused active high inputs should be connected to GND.

1.8.5 Pull-up Resistor Requirements

The 603 requires high-resistive (weak: 10 KΩ) pull-up resistors on several control signals of the bus interface to maintain the control signals in the negated state after they have been actively negated and released by the 603 or other bus master. These signals are— \overline{TS} , \overline{ABB} , \overline{DBB} , \overline{ARTRY} .

In addition, the 603 has three open-drain style outputs that require pull-up resistors (weak or stronger: 4.7 KΩ–10 KΩ) if they are used by the system. These signals are— \overline{APE} , \overline{DPE} , and $\overline{CKSTP_OUT}$.

During inactive periods on the bus, the address and transfer attributes on the bus are not driven by any master

and may float in the high-impedance state for relatively long periods of time. Since the 603 must continually monitor these signals for snooping, this float condition may cause excessive power draw by the input receivers on the 603. It is recommended that these signals be pulled up through weak (10 K Ω) pull-up resistors or restored in some manner by the system. The snooped address and transfer attribute inputs are— $\overline{A[0-31]}$, $\overline{AP[0-3]}$, $\overline{TT[0-4]}$, \overline{TBST} , $\overline{TSIZ[0-2]}$, and \overline{GBL} .

The data bus input receivers are normally turned off when no read operation is in progress and do not require pull-up resistors on the data bus.

1.8.6 Thermal Management Information

This section provides thermal management information for the ceramic quad-flat package for air-cooled applications. Proper thermal control design is primarily dependent upon the system-level design—the heat sink, airflow and thermal interface material. To reduce the die-junction temperature, heat sinks may be attached to the package by several methods—adhesive or spring clip to holes in the printed-circuit board; see Figure 13. This spring force should not exceed 5.5 pounds of force.

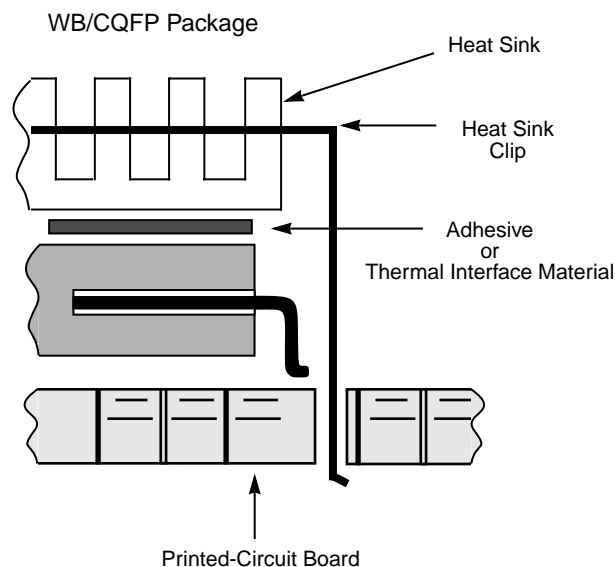


Figure 13. Package Exploded Cross-Sectional View with Several Heat Sink Options

The board designer can choose between several types of heat sinks to place on the 603. There are several commercially-available heat sinks for the 603 provided by the following vendors:

Chip Coolers Inc.	800-227-0254 (USA/Canada)
333 Strawberry Field Rd.	401-739-7600
Warwick, RI 02887-6979	

International Electronic Research Corporation (IERC)	818-842-7277
135 W. Magnolia Blvd.	
Burbank, CA 91502	

Thermalloy	214-243-4321
2021 W. Valley View Lane	
P.O. Box 810839	
Dallas, TX 75731	

Wakefield Engineering
60 Audubon Rd.
Wakefield, MA 01880

617-245-5900

Aavid Engineering
One Kool Path
Laconia, NH 03247-0440

603-528-3400

Ultimately, the final selection of an appropriate heat sink depends on many factors, such as thermal performance at a given air velocity, spatial volume, mass, attachment method, assembly, and cost.

1.8.6.1 Internal Package Conduction Resistance

For this packaging technology the intrinsic thermal conduction resistance (shown in Table 3) versus the external thermal resistance paths are shown in Figure 14 for a package with an attached heat sink mounted to a printed-circuit board.

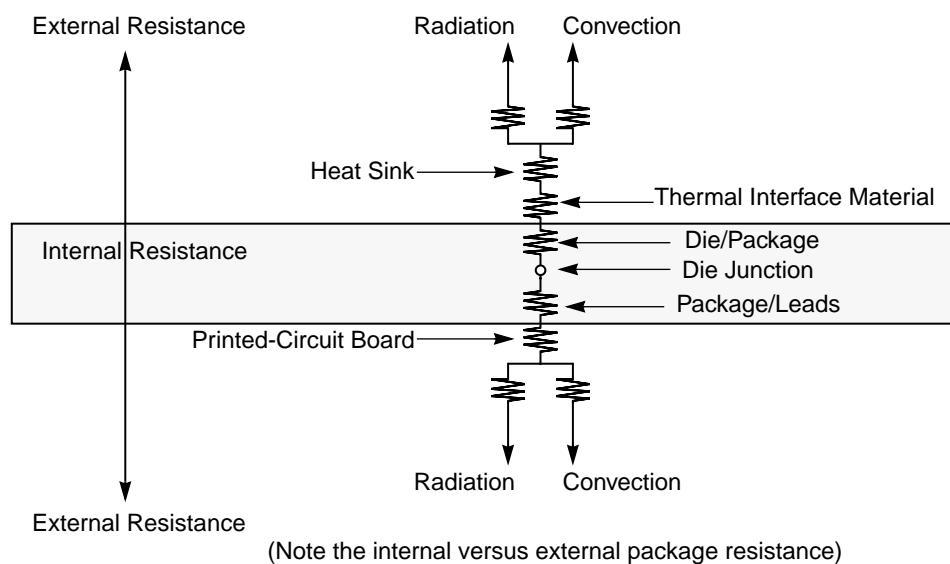


Figure 14. Package with Heat Sink Mounted to a Printed-Circuit Board

1.8.6.2 Adhesives and Thermal Interface Materials

A thermal interface material is recommended at the package lid-to-heat sink interface to minimize the thermal contact resistance. For those applications where the heat sink is attached by spring clip mechanism, Figure 15 shows the thermal performance of three thin-sheet thermal-interface materials (silicone, graphite/oil, fluoroether oil), a bare joint, and a joint with thermal grease as a function of contact pressure. As shown, the performance of these thermal interface materials improves with increasing contact pressure. The use of thermal grease significantly reduces the interface thermal resistance. That is, the bare joint results in a thermal resistance approximately 7 times greater than the thermal grease joint.

Heat sinks are attached to the package by means of a spring clip to holes in the printed-circuit board (see Figure 13). This spring force should not exceed 5.5 pounds of force. Therefore, the synthetic grease offers the best thermal performance, considering the low interface pressure. Of course, the selection of any thermal interface material depends on many factors—thermal performance requirements, manufacturability, service temperature, dielectric properties, cost, etc.

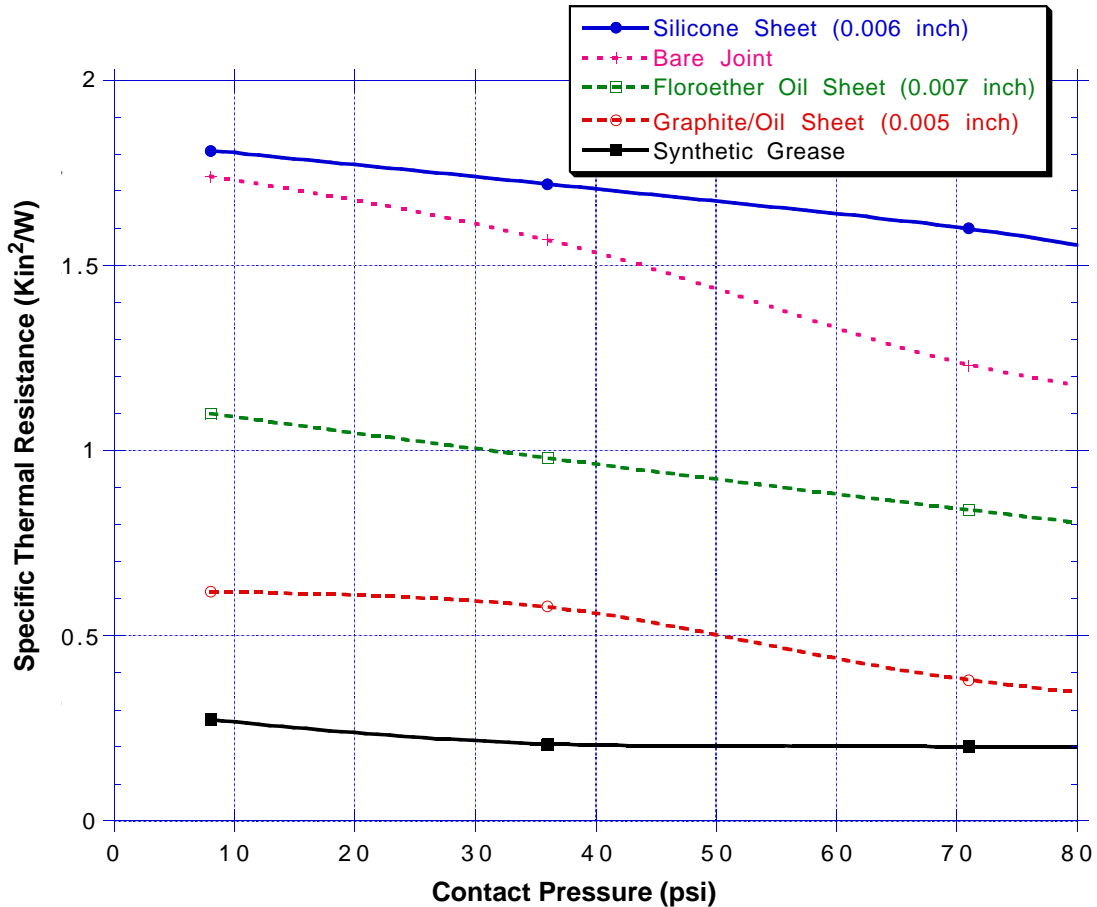


Figure 15. Thermal Performance of Select Thermal Interface Material

The board designer can choose between several types of thermal interface. Heat sink adhesive materials should be selected based upon high conductivity, yet adequate mechanical strength to meet equipment shock/vibration requirements. There are several commercially-available thermal interfaces and adhesive materials provided by the following vendors:

- | | |
|----------------------------------|--------------|
| Dow-Corning Corporation | 517-496-4000 |
| Dow-Corning Electronic Materials | |
| P.O. Box 0997 | |
| Midland, MI 48686-0997 | |
| Chomerics, Inc. | 617-935-4850 |
| 77 Dragon Court | |
| Woburn, MA 01888-4850 | |
| Thermagon Inc. | 216-741-7659 |
| 3256 West 25th Street | |
| Cleveland, OH 44109-1668 | |

Loctite Corporation
1001 Trout Brook Crossing
Rocky Hill, CT 06067

860-571-5100

AI Technology (e.g., EG7655)
1425 Lower Ferry Rd
Trent, NJ 08618

609-882-2332

The following section provides a heat sink selection example using one of the commercially available heat sinks.

1.8.6.3 Heat Sink Selection Example

For preliminary heat sink sizing, the die-junction temperature can be expressed as follows:

$$T_j = T_a + T_r + (\theta_{jc} + \theta_{int} + \theta_{sa}) * P_d$$

Where:

- T_j is the die-junction temperature
- T_a is the inlet cabinet ambient temperature
- T_r is the air temperature rise within the computer cabinet
- θ_{jc} is the die junction-to-case thermal resistance
- θ_{int} is the adhesive or interface material thermal resistance
- θ_{sa} is the heat sink base-to-ambient thermal resistance
- P_d is the power dissipated by the device

During operation the die-junction temperatures (T_j) should be maintained less than the value specified in Table 2. The temperature of the air cooling the component greatly depends upon the ambient inlet air temperature and the air temperature rise within the electronic cabinet. An electronic cabinet inlet-air temperature (T_a) may range from 30 to 40 °C. The air temperature rise within a cabinet (T_r) may be in the range of 5 to 10 °C. The thermal resistance of the thermal interface material (θ_{int}) is typically about 1 °C/W. Assuming a T_a of 30 °C, a T_r of 5 °C a CQFP package $\theta_{jc} = 2.2$ °C/W, and a power consumption (P_d) of 3.0 W, the following expression for T_j is obtained:

$$\text{Die-junction temperature: } T_j = 30 \text{ °C} + 5 \text{ °C} + (2.2 \text{ °C/W} + 1.0 \text{ °C/W} + R_{sa}) * 3.0 \text{ W}$$

For a Thermalloy heat sink #2328B, the heat sink-to-ambient thermal resistance (R_{sa}) versus airflow velocity is shown in Figure 16.

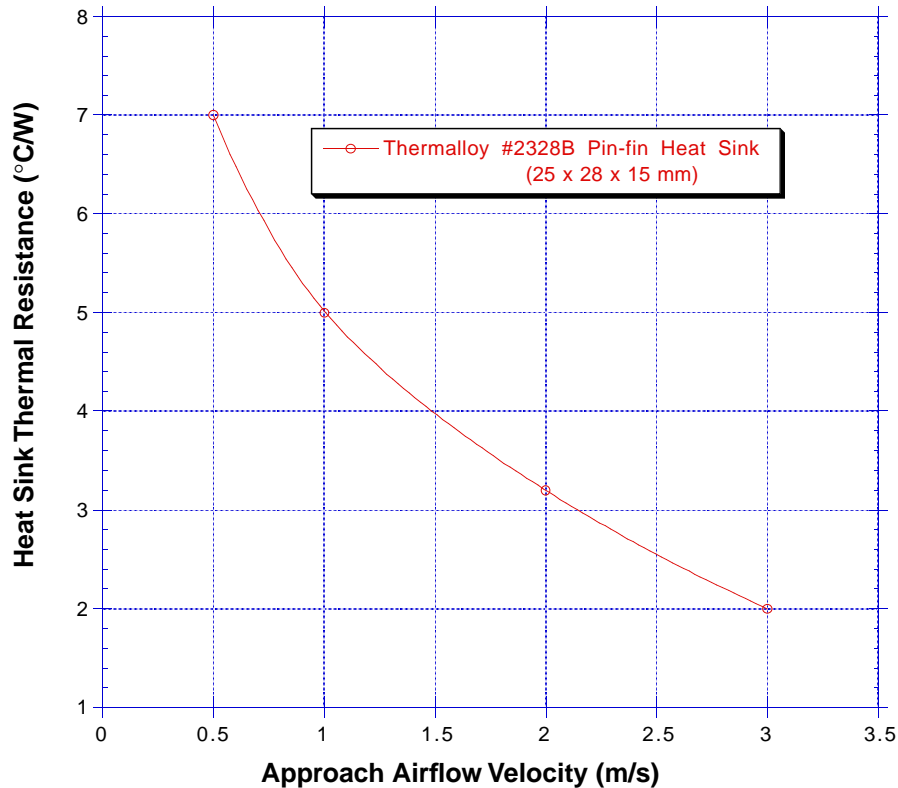


Figure 16. Thermalloy #2328B Heat Sink-to-Ambient Thermal Resistance Versus Airflow Velocity

Assuming an air velocity of 0.5 m/s, we have an effective R_{sa} of 7 °C/W, thus

$$T_j = 30\text{ °C} + 5\text{ °C} + (2.2\text{ °C/W} + 1.0\text{ °C/W} + 7\text{ °C/W}) * 3.0\text{ W},$$

resulting in a die-junction temperature of approximately 66 °C which is well within the maximum operating temperature of the component.

Other heat sinks offered by Chip Coolers, IERC, Thermalloy, Wakefield Engineering, and Aavid Engineering offer different heat sink-to-ambient thermal resistances, and may or may not need air flow.

Though the die junction-to-ambient and the heat sink-to-ambient thermal resistances are a common figure-of-merit used for comparing the thermal performance of various microelectronic packaging technologies, one should exercise caution when only using this metric in determining thermal management because no single parameter can adequately describe three-dimensional heat flow. The final die-junction operating temperature, is not only a function of the component-level thermal resistance, but the system-level design and its operating conditions. In addition to the component's power consumption, a number of factors affect the final operating die-junction temperature—airflow, board population (local heat flux of adjacent components), heat sink efficiency, heat sink attach, heat sink placement, next-level interconnect technology, system air temperature rise, altitude, etc.

Due to the complexity and the many variations of system-level boundary conditions for today's microelectronic equipment, the combined effects of the heat transfer mechanisms (radiation, convection and conduction) may vary widely. For these reasons, we recommend using conjugate heat transfer models for the board, as well as, system-level designs. To expedite system-level thermal analysis, several “compact” thermal-package models are available within FLOTHERM®. These are available upon request.

1.9 Ordering Information

This section provides the ordering information for the 603. Note that the individual part numbers correspond to a specific combination of 603 internal/bus frequencies, which must be observed to ensure proper operation of the device. For other frequency combinations, temperature ranges, power-supply tolerances package types, etc., contact your local Motorola or IBM sales office.

Table 12. Ordering Information for the PowerPC 603 Microprocessor

Package Type		Maximum Internal Frequency	Maximum Bus Frequency	Required PLL_CFG[0-3] Setting	Part Numbers	
Motorola	IBM				Motorola	IBM
Wire-bond CQFP	C4-CQFP	80 MHz	40 MHz	0100	MPC603AFE80CC	PPC603-FX-080-2
		66.67 MHz	33.33 MHz	0100	MPC603AFE66CC	PPC603-FX-066-2
			66.67 MHz	0000	MPC603AFE66AC	PPC603-FX-066-1

1.9.1 Motorola Part Number Key

Figure 17 provides a detailed description of the Motorola part number for the 603.

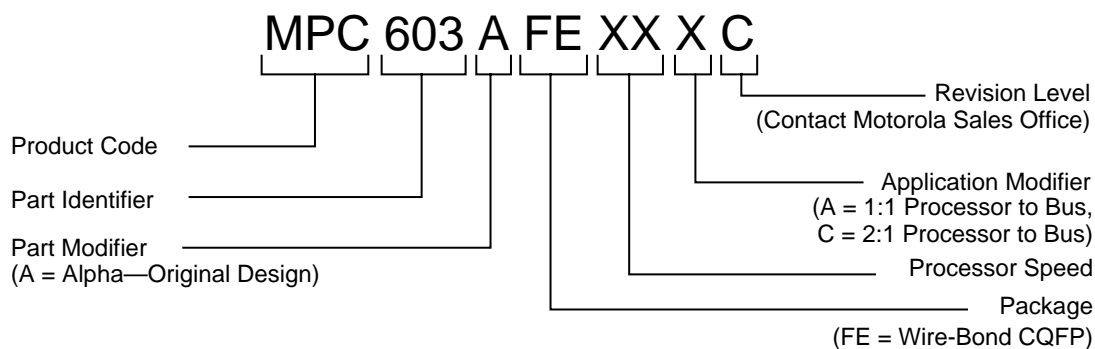


Figure 17. Motorola Part Number Key

1.9.2 IBM Part Number Key

Figure 18 provides a detailed description of the IBM part number for the 603.

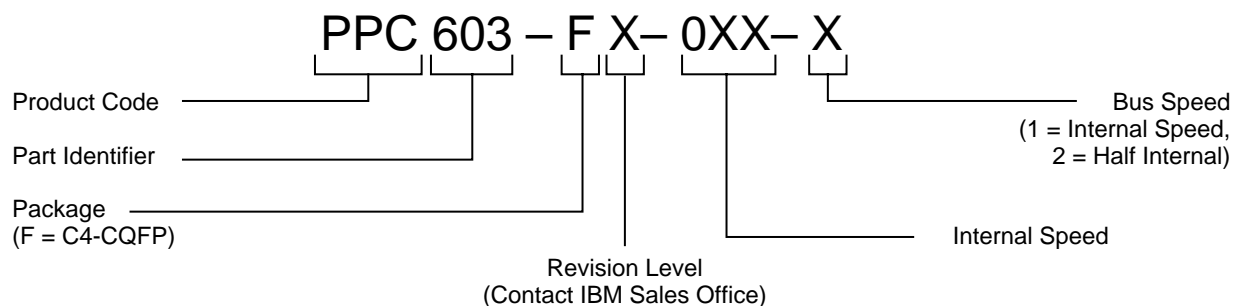


Figure 18. IBM Part Number Key

Appendix A

General Handling Recommendations for the C4-CQFP Package

The following list provides a few guidelines for package handling:

- Handle the electrostatic discharge sensitive (ESD) package with care before, during, and after processing.
- Do not apply any load to exceed 3 Kg after assembly.
- Components should not be hot-dip tinned.
- The package encapsulation is an acrylated urethane. Use adequate ventilation (local exhaust) for all elevated temperature processes.

The package parameters are as follows:

Heat sink adhesive	AIEG-7655
IBM reference drawing	99F4869
Test socket	Yamaichi QFP-PO 0.5-240P
Signal	165
Power/ground	75
Total	240

A.1 Package Environmental, Operation, Shipment, and Storage Requirements

The environmental, operation, shipment, and storage requirements are as follows:

- Make sure that the package is suitable for continuous operation under business office environments.
 - Operating environment: 10 °C to 40 °C, 8% to 80% relative humidity
 - Storage environment: 1 °C to 60 °C, up to 80% relative humidity
 - Shipping environment: 40 °C to 60 °C, 5% to 100% relative humidity
- This component is qualified to meet JEDEC moisture Class 2.
After expiration of shelf life, packages may be baked at 120 °C (+10/–5 °C) for 4 hours minimum and then be used or repackaged. Shelf life is as specified by JEDEC for moisture Class 2 components.

A.2 Card Assembly Recommendations

This section provides recommendations for card assembly process. Follow these guidelines for card assembly.

- This component is supported for aqueous, IR, convection reflow, and vapor phase card assembly processes.
- The temperature of packages should not exceed 220 °C for longer than 5 minutes.
- The package entering a cleaning cycle must not be exposed to temperature greater than that occurring during solder reflow or hot air exposure.
- It is not recommended to re-attach a package that is removed after card assembly.

During the card assembly process, no solvent can be used with the C4FP, and no more than 3 Kg of force must be applied normal to the top of the package prior to, during, or after card assembly. Other details of the card assembly process follow:

Solder paste	Either water soluble (for example, Alpha 1208) or no clean
Solder stencil thickness	0.152 mm
Solder stencil aperture	Width reduced to 0.03 mm from the board pad width
Placement tool	Panasonic MPA3 or equivalent
Solder reflow	Infrared, convection, or vapor phase
Solder reflow profile	<p>Infrared and/or convection</p> <ul style="list-style-type: none"> • Average ramp-up—0.48 to 1.8 °C/second • Time above 183 °C—45 to 145 seconds • Minimum lead temperature—200 °C • Maximum lead temperature—240 °C • Maximum C4FP temperature—245 °C <p>Vapor phase</p> <ul style="list-style-type: none"> • Preheat (board)—60 °C to 150 °C • Time above 183 °C—60 to 145 seconds • Minimum lead temperature—200 °C • Maximum C4FP temperature—220 °C • Egress temperature—below 150 °C
Clean after reflow	<p>De-ionized (D.I.) water if water-soluble paste is used</p> <ul style="list-style-type: none"> • Cleaner requirements—conveyorized, in-line • Minimum of four washing chambers <ul style="list-style-type: none"> — Pre-clean chamber: top and bottom sprays, minimum top-side pressure of 25 psig, water temperature of 70 °C minimum, dwell time of 24 seconds minimum, water is not re-used, water flow rate of 30 liters/minute. — Wash chamber #1: top and bottom sprays, minimum top-side pressure of 48 psig, minimum bottom-side pressure of 44 psig, water temperature of 62.5 °C (±2.5 °C), dwell time of 48 seconds minimum, water flow rate of 350 liters/minute. — Wash chamber #2: top and bottom sprays, minimum top-side pressure of 32 psig, minimum bottom-side pressure of 28 psig, water temperature of 72.5 °C (±2.5 °C), dwell time of 48 seconds minimum, water flow rate of 325 liters/minute. — Final rinse chamber: top and bottom sprays, minimum top-side pressure of 25 psig, water temperature of 72.5 °C minimum, dwell time of 24 seconds minimum, water flow rate of 30 liters/minute. • No cleaning required if “no clean solder paste” is used
Touch-up and repair	Water soluble (for example, Kester 450) or No Clean Flux
C4FP removal	Hot air rework
C4FP replace	Hand solder

Information in this document is provided solely to enable system and software implementers to use PowerPC microprocessors. There are no express or implied copyright or patent licenses granted hereunder by Motorola or IBM to design, modify the design of, or fabricate circuits based on the information in this document.

The PowerPC 603 microprocessor embodies the intellectual property of Motorola and of IBM. However, neither Motorola nor IBM assumes any responsibility or liability as to any aspects of the performance, operation, or other attributes of the microprocessor as marketed by the other party or by any third party. Neither Motorola nor IBM is to be considered an agent or representative of the other, and neither has assumed, created, or granted hereby any right or authority to the other, or to any third party, to assume or create any express or implied obligations on its behalf. Information such as errata sheets and data sheets, as well as sales terms and conditions such as prices, schedules, and support, for the product may vary as between parties selling the product. Accordingly, customers wishing to learn more information about the products as marketed by a given party should contact that party.

Both Motorola and IBM reserve the right to modify this document and/or any of the products as described herein without further notice. **NOTHING IN THIS DOCUMENT, NOR IN ANY OF THE ERRATA SHEETS, DATA SHEETS, AND OTHER SUPPORTING DOCUMENTATION, SHALL BE INTERPRETED AS THE CONVEYANCE BY MOTOROLA OR IBM OF AN EXPRESS WARRANTY OF ANY KIND OR IMPLIED WARRANTY, REPRESENTATION, OR GUARANTEE REGARDING THE MERCHANTABILITY OR FITNESS OF THE PRODUCTS FOR ANY PARTICULAR PURPOSE.** Neither Motorola nor IBM assumes any liability or obligation for damages of any kind arising out of the application or use of these materials. Any warranty or other obligations as to the products described herein shall be undertaken solely by the marketing party to the customer, under a separate sale agreement between the marketing party and the customer. In the absence of such an agreement, no liability is assumed by Motorola, IBM, or the marketing party for any damages, actual or otherwise.

"Typical" parameters can and do vary in different applications. All operating parameters, including "Typicals," must be validated for each customer application by customer's technical experts. Neither Motorola nor IBM convey any license under their respective intellectual property rights nor the rights of others. Neither Motorola nor IBM makes any claim, warranty, or representation, express or implied, that the products described in this document are designed, intended, or authorized for use as components in systems intended for surgical implant into the body, or other applications intended to support or sustain life, or for any other application in which the failure of the product could create a situation where personal injury or death may occur. Should customer purchase or use the products for any such unintended or unauthorized application, customer shall indemnify and hold Motorola and IBM and their respective officers, employees, subsidiaries, affiliates, and distributors harmless against all claims, costs, damages, and expenses, and reasonable attorney's fees arising out of, directly or indirectly, any claim of personal injury or death associated with such unintended or unauthorized use, even if such claim alleges that Motorola or IBM was negligent regarding the design or manufacture of the part.

Motorola and  are registered trademarks of Motorola, Inc. Motorola, Inc. is an Equal Opportunity/Affirmative Action Employer.

IBM, the IBM logo, and IBM Microelectronics are trademarks of International Business Machines Corporation.

The PowerPC name, the PowerPC logotype, and PowerPC 603 are trademarks of International Business Machines Corporation, used by Motorola under license from International Business Machines Corporation. International Business Machines Corporation is an Equal Opportunity/Affirmative Action Employer.

International Business Machines Corporation:

IBM Microelectronics Division, 1580 Route 52, Bldg. 504, Hopewell Junction, NY 12533-6531; Tel. (800) PowerPC

World Wide Web Address: <http://www.chips.ibm.com/products/ppc>
<http://www.ibm.com>

Motorola Literature Distribution Centers:

USA/EUROPE: Motorola Literature Distribution; P.O. Box 5405; Denver, Colorado 80217; Tel.: 1-800-441-2447 or (303) 675-2140

JAPAN: Nippon Motorola Ltd.; Tatsumi-SPD-JLDC, Toshikatsu Otsuki, 6F Seibu-Butsuryu-Center, 3-14-2 Tatsumi Koto-Ku, Tokyo 135, Japan; Tel.: 81-3-3521-8315

ASIA/PACIFIC: Motorola Semiconductors H.K. Ltd.; 8B Tai Ping Industrial Park, 51 Ting Kok Road, Tai Po, N.T., Hong Kong; Tel.: 852-26629298

Technical Information: Motorola Inc. SPS Customer Support Center; (800) 521-6274.

Document Comments: FAX (512) 891-2638, Attn: RISC Applications Engineering.

Mfax is a trademark of Motorola, Inc.



MOTOROLA